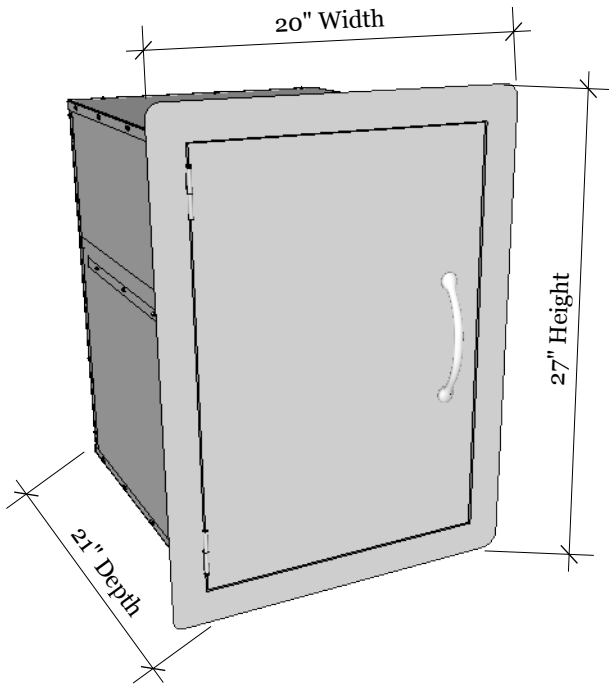
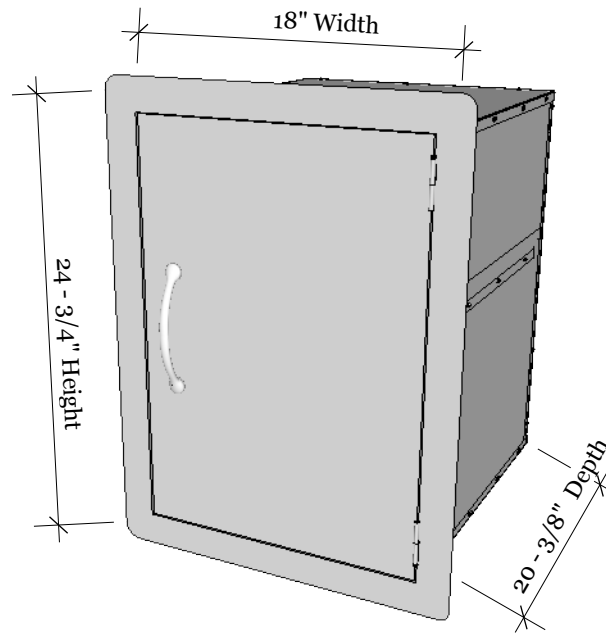


Product Dimensions



Cut-Out Dimensions



DBA Design Backyard
Austin, TX 78681
Tel: 888.388.3366
Fax: 512.358.4049.

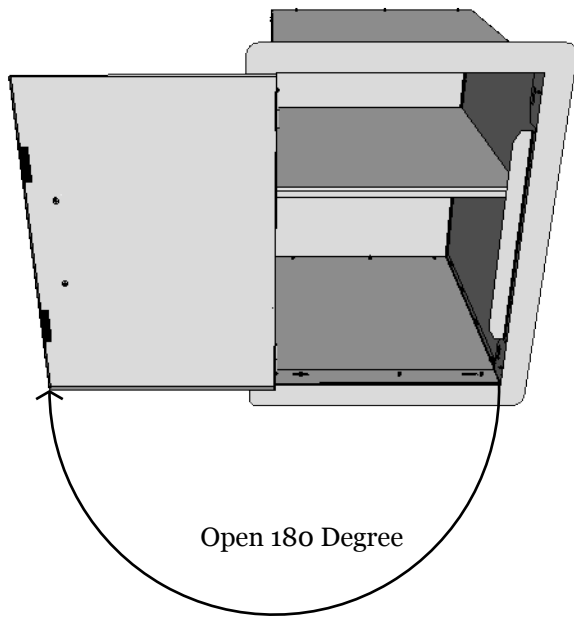
PRODUCT
24" X 17" VERTICAL DRY STORAGE
PANTRY W/SHELF
Item No. DSV2417

DESCRIPTION
304 stainless construction, flush
mounted Polished Look. Cabinet
is fully inclosed air tight.

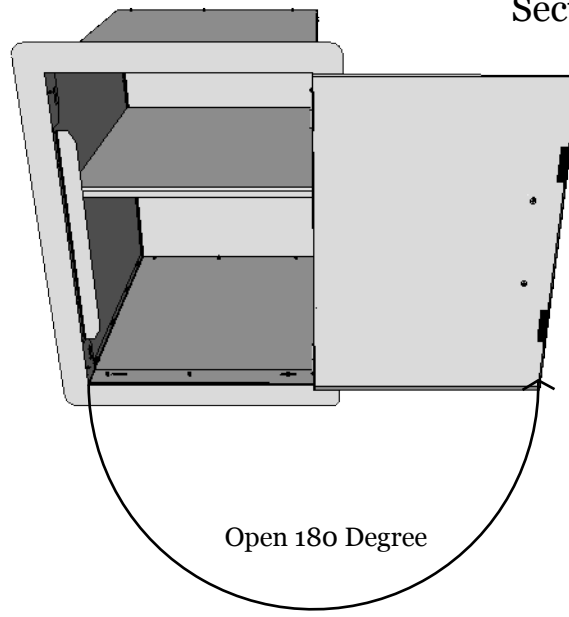
24" X 17" Vertical DryStorage Pantry
20"W x 27"H x 21"D (Product Size)
18"W x 24-3/4"H (Cut-out)
43 LBS (Weight)

Material Specifications:
16 gauge 304 stainless steel for door
18 gauge galvanized sheet for the box
Handles are made of zinc alloy,
chrome plated.

Open Left

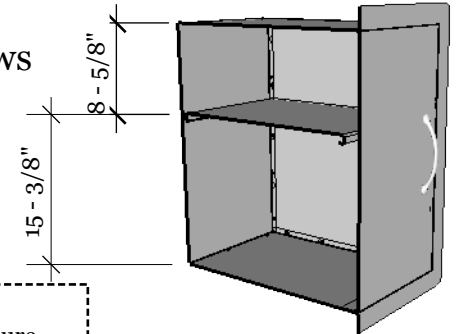


Open Right

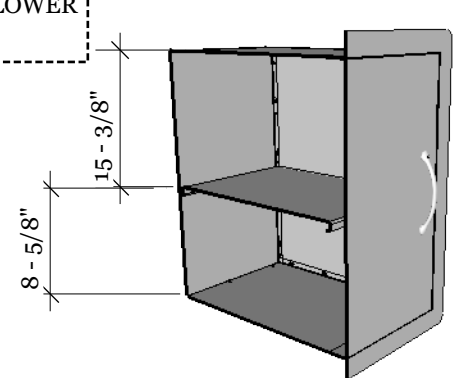


Section Cut-Views

Shelf Position 1: UPPER



Shelf Position 2: LOWER



With the Vertical
Dry Storage enclosure
you can set it up for
LEFT or RIGHT positions
and with the interior shelf
on the UPPER or LOWER
position.

SOME ASSEMBLY REQUIRED