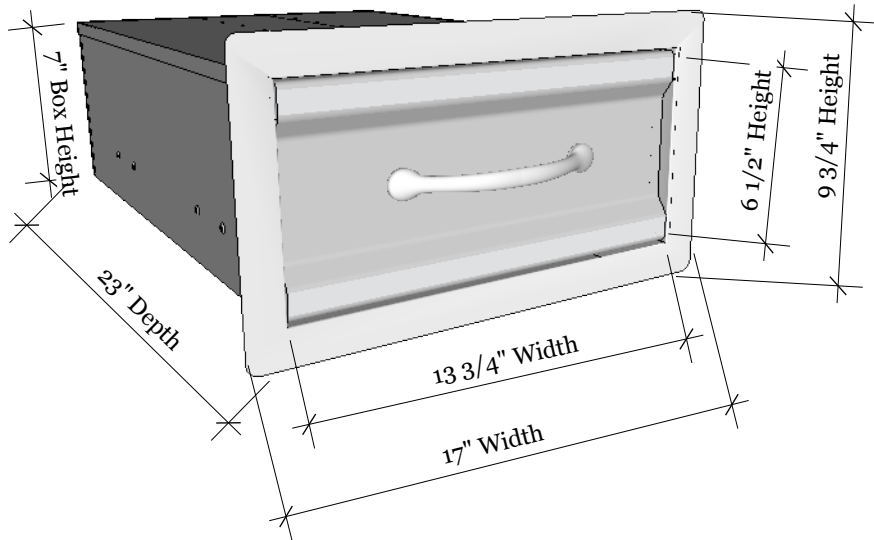
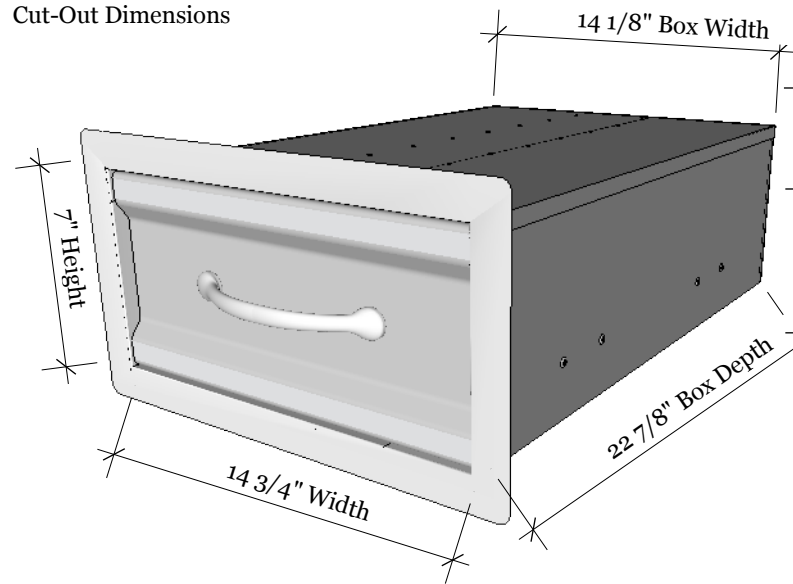


Product Dimensions



Cut-Out Dimensions



DBA Design Backyard
Austin TX 78681
Tel: 888.388.3366
Fax: 512.358.4049

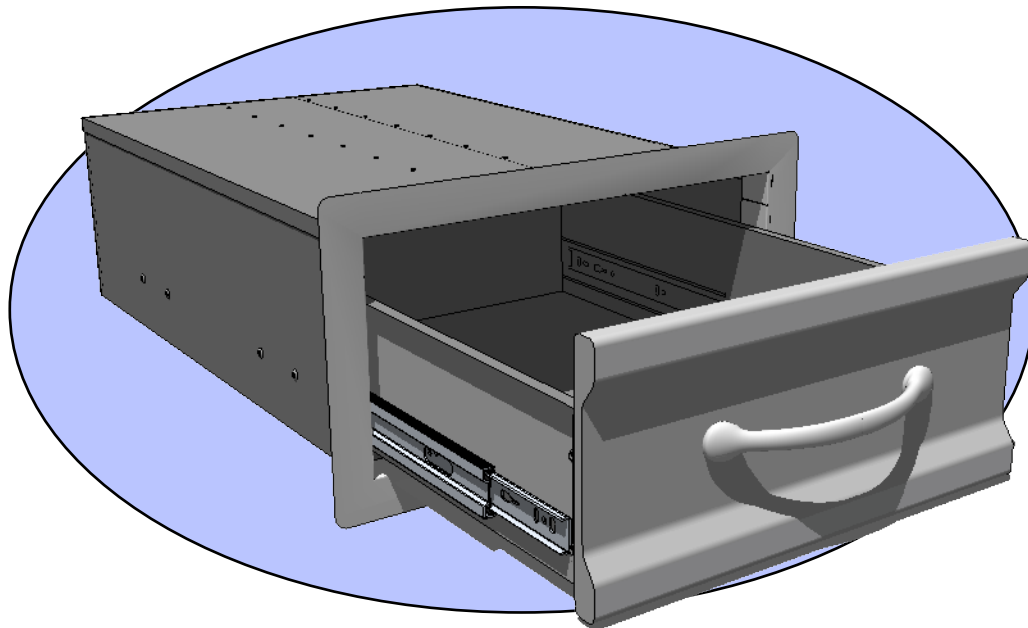
PRODUCT
SUN PREMIUM SINGLE ACCESS DRAWER
Item No. C-SD7

DESCRIPTION
304 stainless construction, flush mounted Polished Look. Drawers are fully enclosed.

Premium Single Access Drawer
17"W x 9-3/4"H x 23"D (Product Size)
14-3/4"W x 7"H (Cut-out)
26 LBS (Weight)

Material Specifications:
304 stainless steel
16 Gauge for Frame
18 Gauge for Panel
18 Gauge galvanized Box
Handles are made of zinc alloy, chrome plated.

ISO VIEW



Drawer Extension

