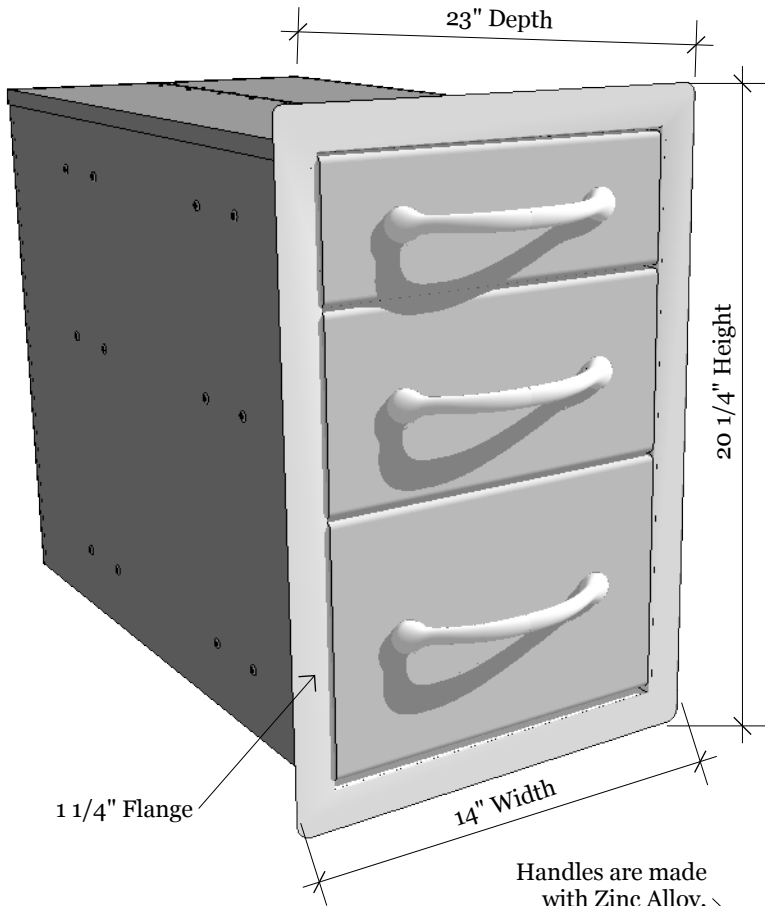
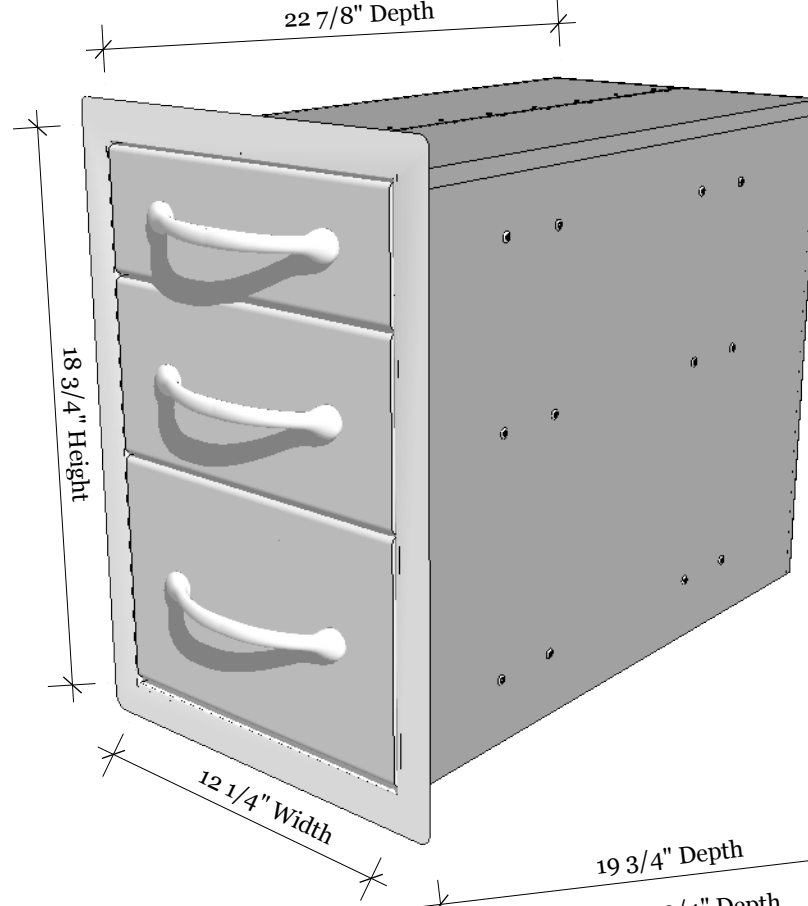


Product Dimensions



Cut-out Dimensions



DBA Design Backyard
 Austin, TX 78681
 Tel: 888.388.3366
 Fax: 512.358.4049

PRODUCT
 SUN FLUSH TRIPPLE DRAWER
 Item No. B-TD18

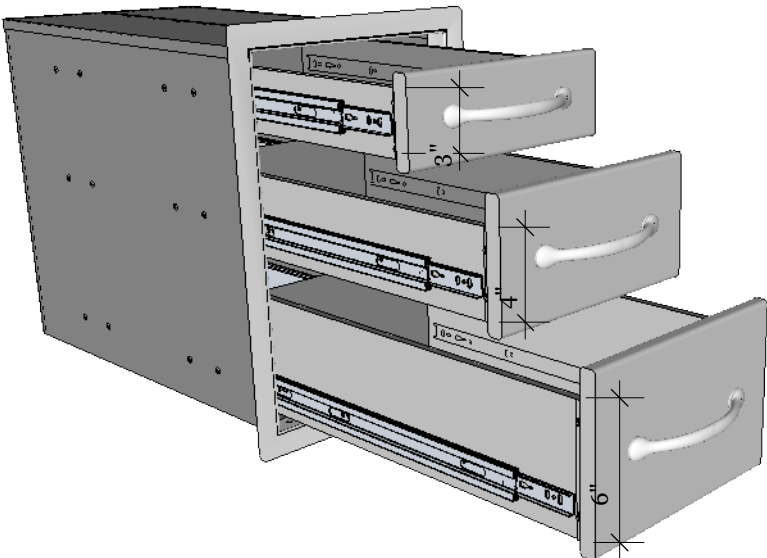
DESCRIPTION
 FLUSH TRIPPLE DRAWER WITH
 SMALL, MEDIUM, AND LARGE
 DRAWERS

Trash Drawer with optional top Punch-out
 14" W x 20-1/4" H x 23" D (Product Size)
 12-1/4" W x 18-3/4"H (Cut-out)
 53LBS (Weight)

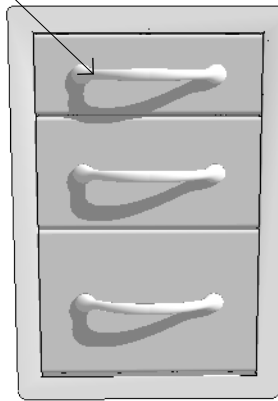
Material Specifications:
 304 stainless steel Trash Drawer
 16 Gauge for Frame.
 20 gauge Drawer Cabinet.
 18 Gauge Galvanized box
 Handles are made of zinc alloy,
 chrome plated.

Handles are made
 with Zinc Alloy,
 Chrome Plated

Drawer Body Height



Front View



Drawer
 Heights

7 7/8"

6"

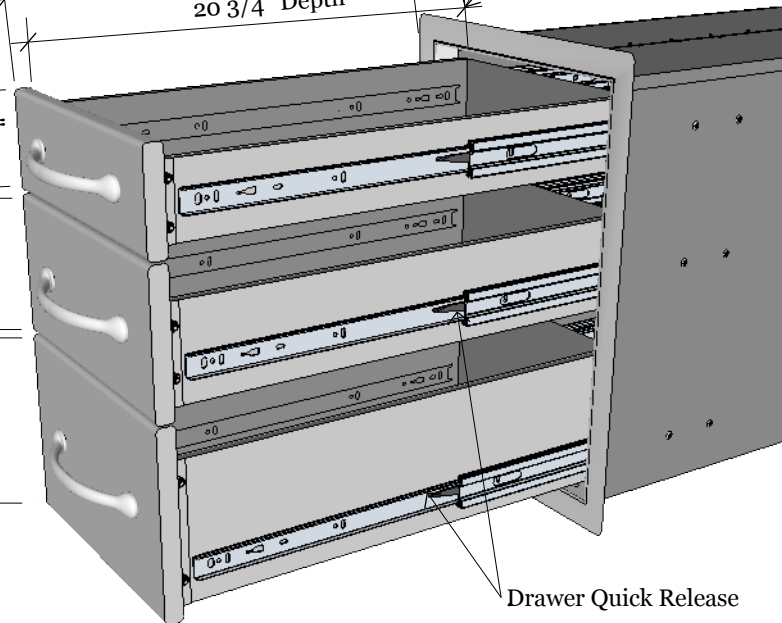
4"

19 3/4" Depth

20 3/4" Depth

Drawer Extension

Drawer Body



Drawer Quick Release