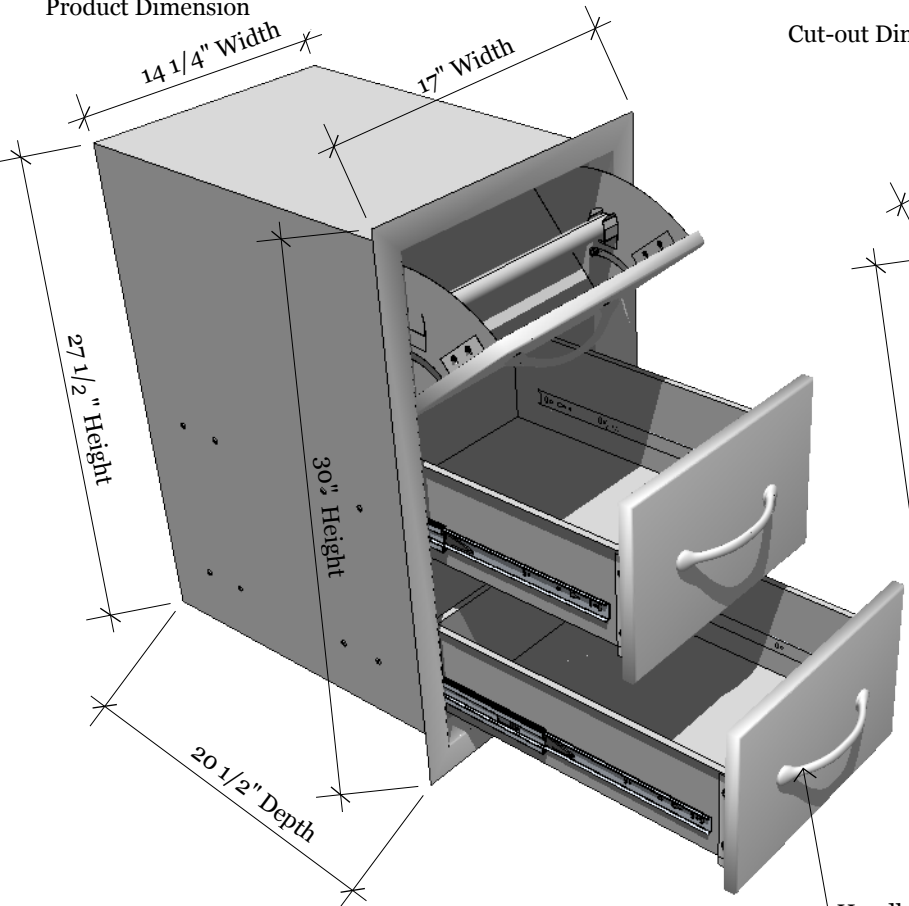
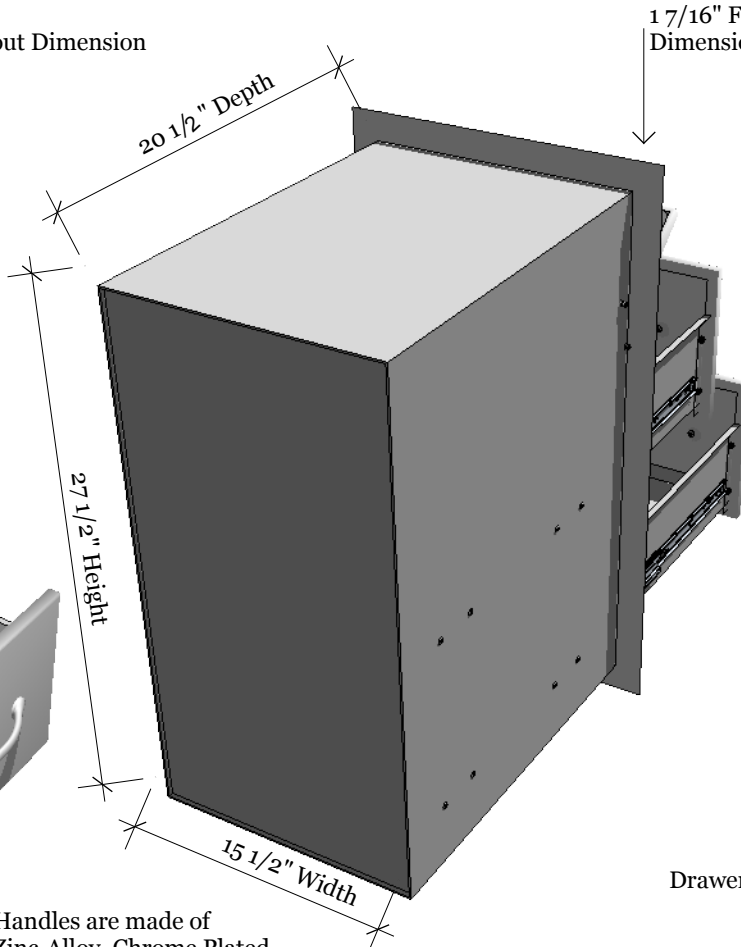


Product Dimension



Drawer Specifications

Cut-out Dimension



Handles are made of Zinc Alloy, Chrome Plated

1 7/16" Flange Dimension

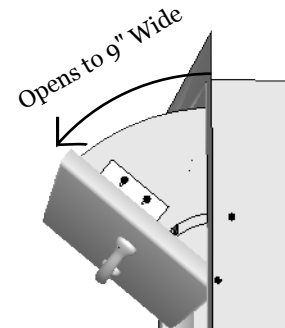
DBA Design Backyard
Austin, TX 78681
Tel: 888.388.3366
Fax: 512.358.4049

PRODUCT
SUN Paper Towel Combo
Drawer Item No. A-DPCF

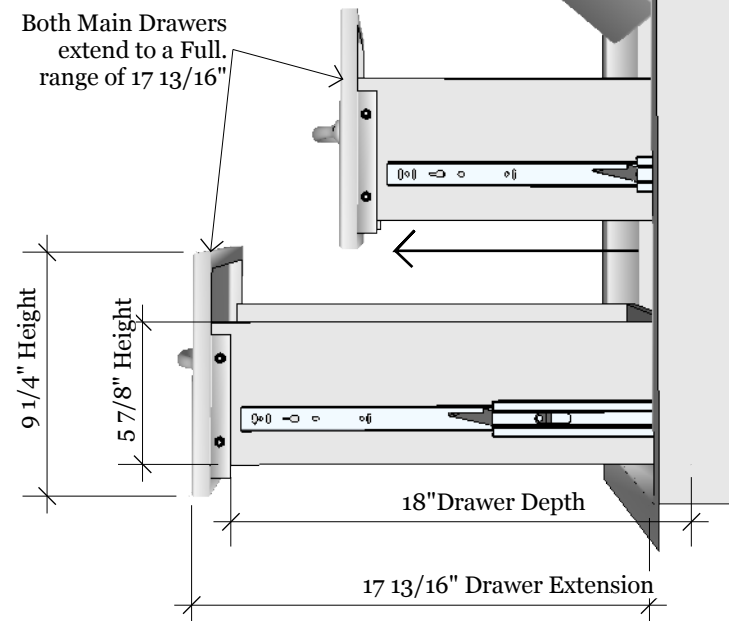
DESCRIPTION
SUN FLUSH DRAWER &
PAPER HOLDER COMBO

Drawer & Paper Towel Holder Combo
17" W x 30" H x 20-1/2" D (Product Size)
15-1/2" W x 27-1/2" H (Cut-out)
53 LBS (Weight)

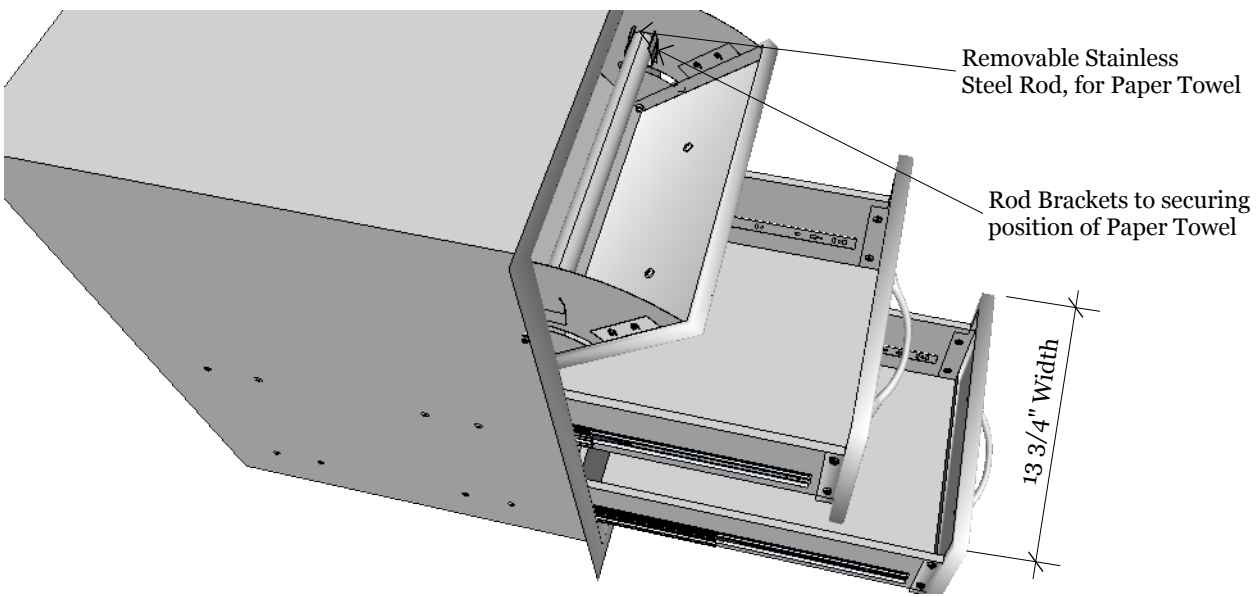
Material Specifications:
16 gauge 304 stainless steel for frame.
18 gauge 304 for panel and sector.
20 gauge 201 for cabinet.
18 gauge galvanized sheet for the box.
Handles are made of zinc alloy,
chrome plated.



Drawer Extension



Both Main Drawers extend to a Full range of 17 13/16"



13 3/4" Width